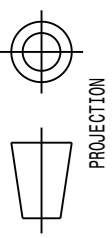
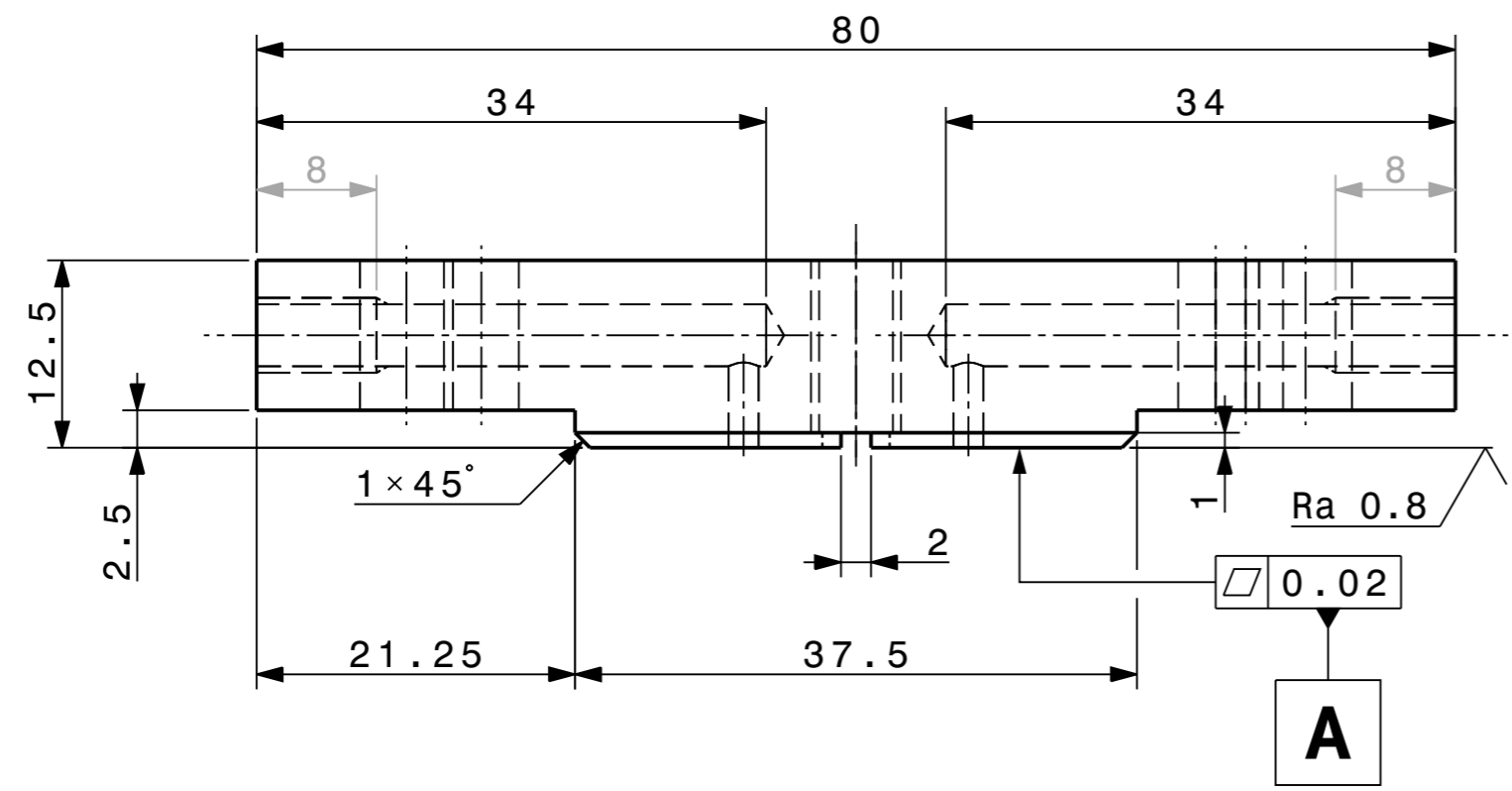
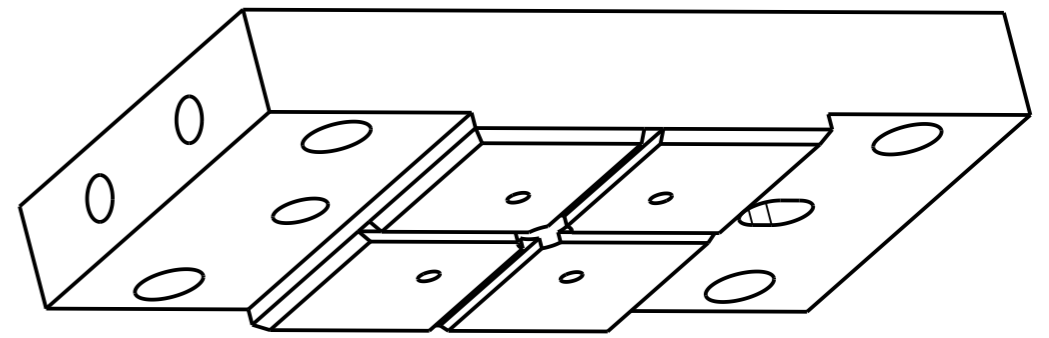
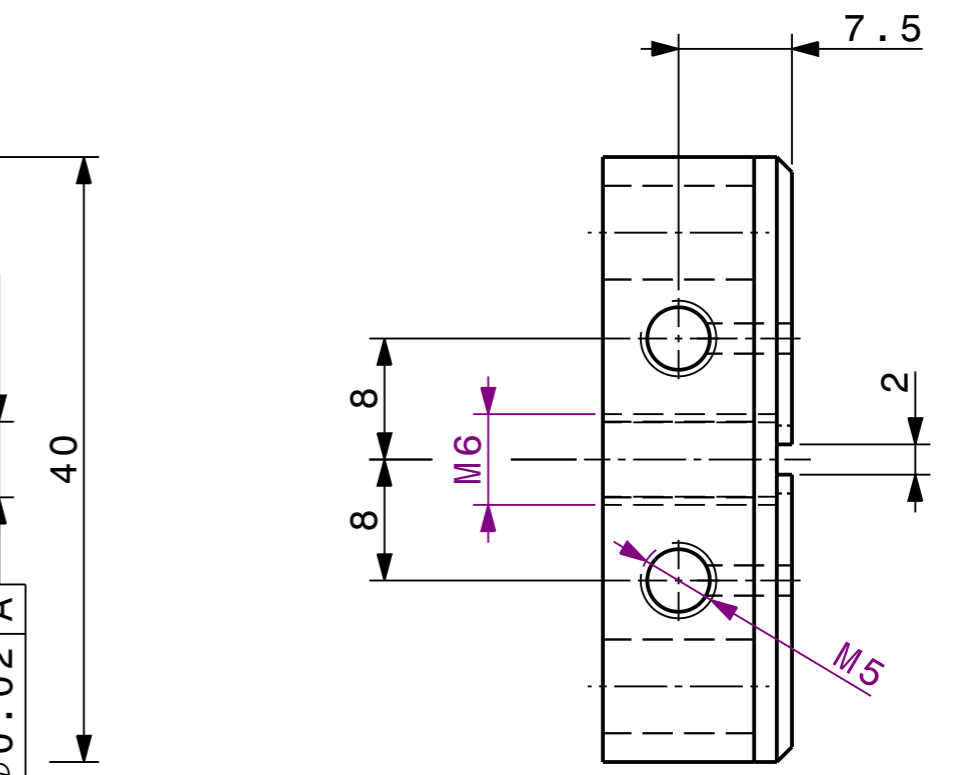
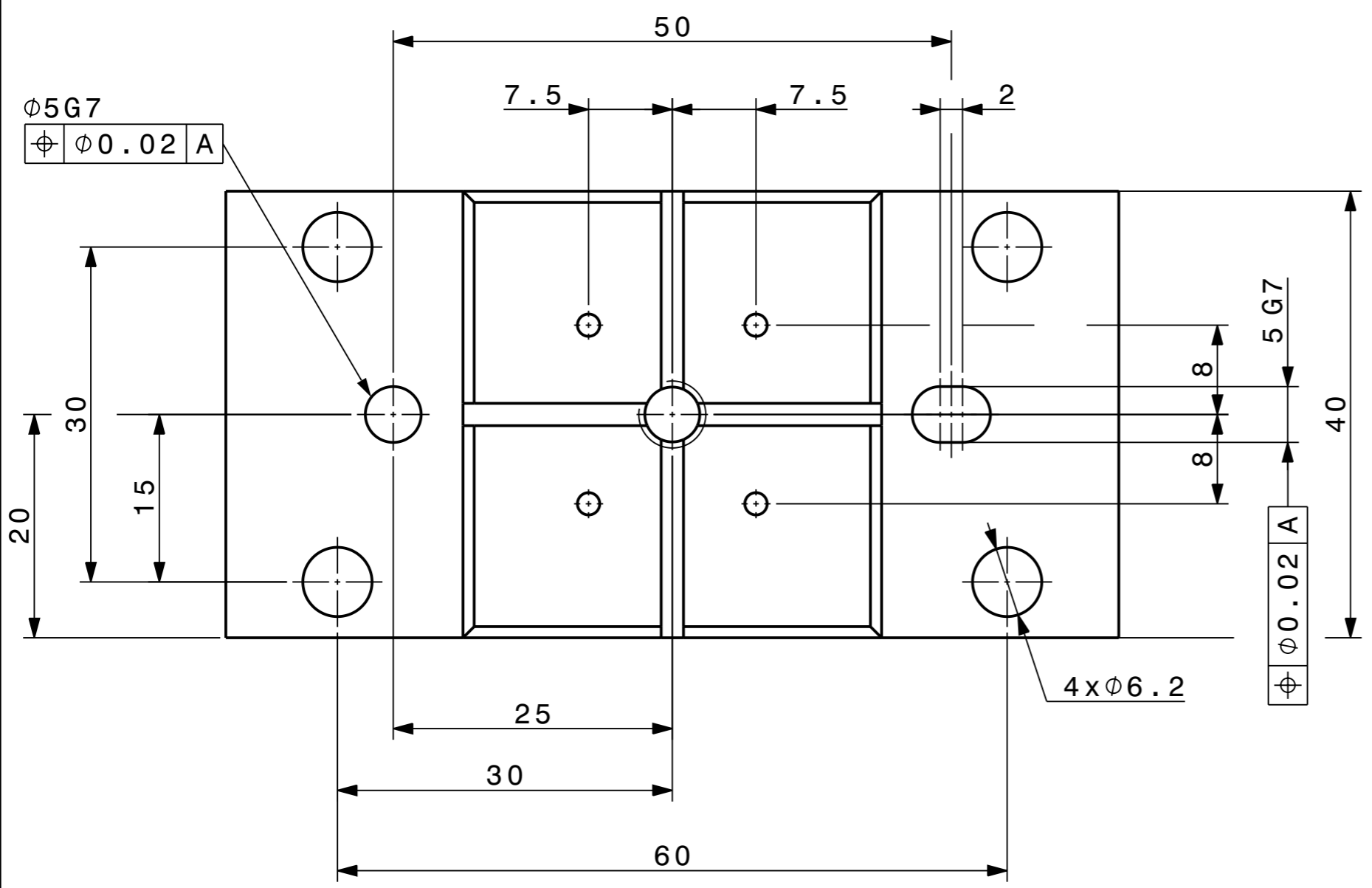


DESSIN, RUGOSITE, TOLERANCES
SELON NORMES ISO
DRAWING, RUGOSITY, TOLERANCES
ACCORDING TO ISO STANDARDS



ORGANISATION EUROPEENNE POUR
LA RECHERCHE NUCLEAIRE
EUROPEAN ORGANIZATION FOR NUCLEAR RESEARCH
GENEVE
Ce dessin ne peut être utilisé à des fins commerciales sans autorisation écrite
This drawing may not be used for commercial purposes without written authorisation



1		1	Alu EN AW-6082 (T6)		
QUA	DESCRIPTION	POS	MAT.	OBSERVATIONS	REF. CERN
ENS/ASS			S. ENS/S. ASS		
ISO 2768-mK		$\sqrt{Ra\ 3.2}$ (✓)		ISO 13715 $\begin{matrix} -0.2 \\ +0.2 \end{matrix}$	
ITK PIXEL OUTER BARREL				DRAWN	C. BAULT
MODULE WIRE BONDING TOOL PIXFLÉX SILICON BRIDGE				CONTROLLED	2016-02-25
				RELEASED	
SCALE 2:1				APPROVED	
				CAD Document Number	
REPLACES					
NON VALABLE POUR EXECUTION NOT VALID FOR EXECUTION			QAC	AT2IPO_0004	SIZE IND. 3

7 6 5 4 3 2 1